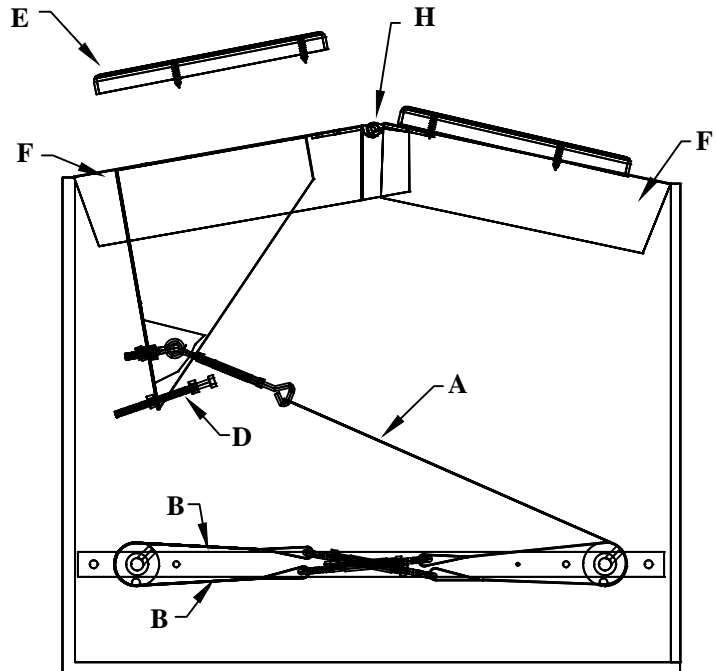
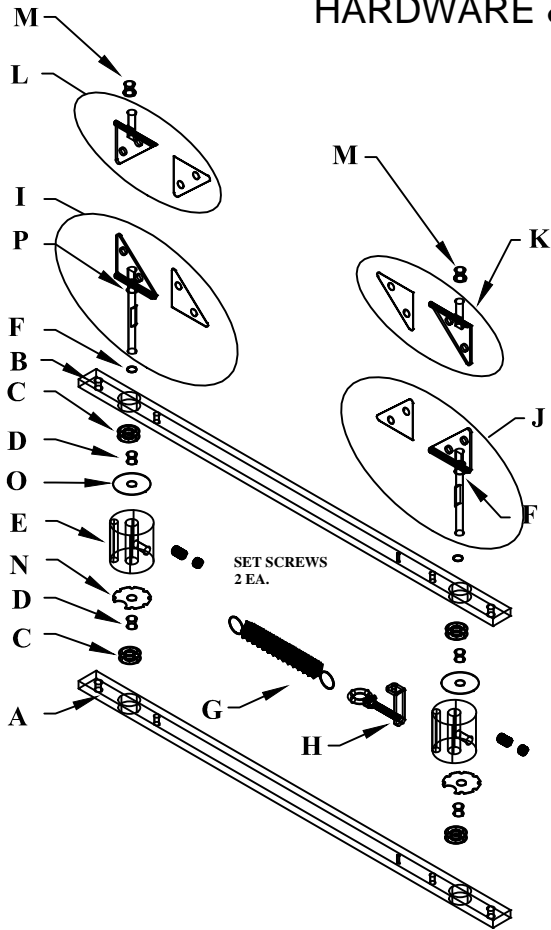
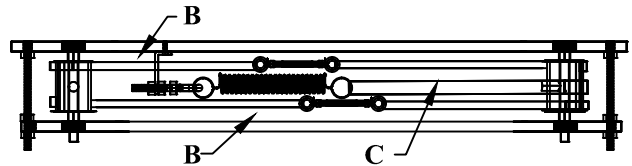


PW-1, 2 & 5 WINDOW HARDWARE & STRAP DETAIL



" BOTTOM VIEW "



" EXTERIOR VIEW "

KEY NO	PART NO	DESCRIPTION
A	5524	BOTTOM BEARING BAR
B	5525	UPPER BEARING BAR
C	1012	BEARING
D	1004	ROLLER SPACER BUSHING
E	5587	ALUMINUM ROLLER \ SET SCREWS
F	1013	RUBBER O-RING
G	1009	RETURN SPRING
H	3702	RETURN SPRING BRACKET
I	5590	L/H BOTTOM HINGE
J	5591	R/H BOTTOM HINGE
K	5593	R/H TOP HINGE
L	5592	L/H TOP HINGE
M	1006	TOP HINGE BUSHING
N	3631	BOTTOM RETAINER WASHER
O	3643	TOP RETAINER WASHER
P	1915	HINGE SPACER BUSHING

KEY NO	PART NO	DESCRIPTION
A	5567	PULL STRAP ASSEMBLY
B	5566	ROLLER STRAP ASSEMBLY QTY (2)
C	5568	RETURN SPRING STRAP ASSEMBLY
D	5201	TRAVEL ADJUSTER
E	2103	PUSH PAD QTY (2)
F	5503	PUSH BAR ASSEMBLY
G	5596	COMPLETE SET OF STRAPS
H	1914	HINGE PIN

NOTE: THIS DRAWING EMBODIES A CONFIDENTIAL PROPRIETARY DESIGN ORIGINATED AND OWED BY QUIKSERV CORP., AND IS SUBMITTED UNDER A CONFIDENTIAL RELATIONSHIP. ALL PATENT, MANUFACTURING, SALE RIGHTS REGARDING THE SAME ARE RESERVED EXCEPT TO THE EXTENT RIGHTS ARE EXPRESSLY GRANTED TO OTHERS. THE RECIPIENT AGREES BY ACCEPTING THESE DRAWINGS NOT TO SUPPLY OR DISCLOSE ANY INFORMATION REGARDING THEM TO ANY UNAUTHORIZED PERSON.

Quikserv Corp.
www.quikserv.com
1-800-388-8307

PW-1, 2 & 5 HARDWARE & STRAP DETAIL

Submitted By:
Brian Coble

DATE:
6/2/2015

Sheet:
PW1,2&5-SD