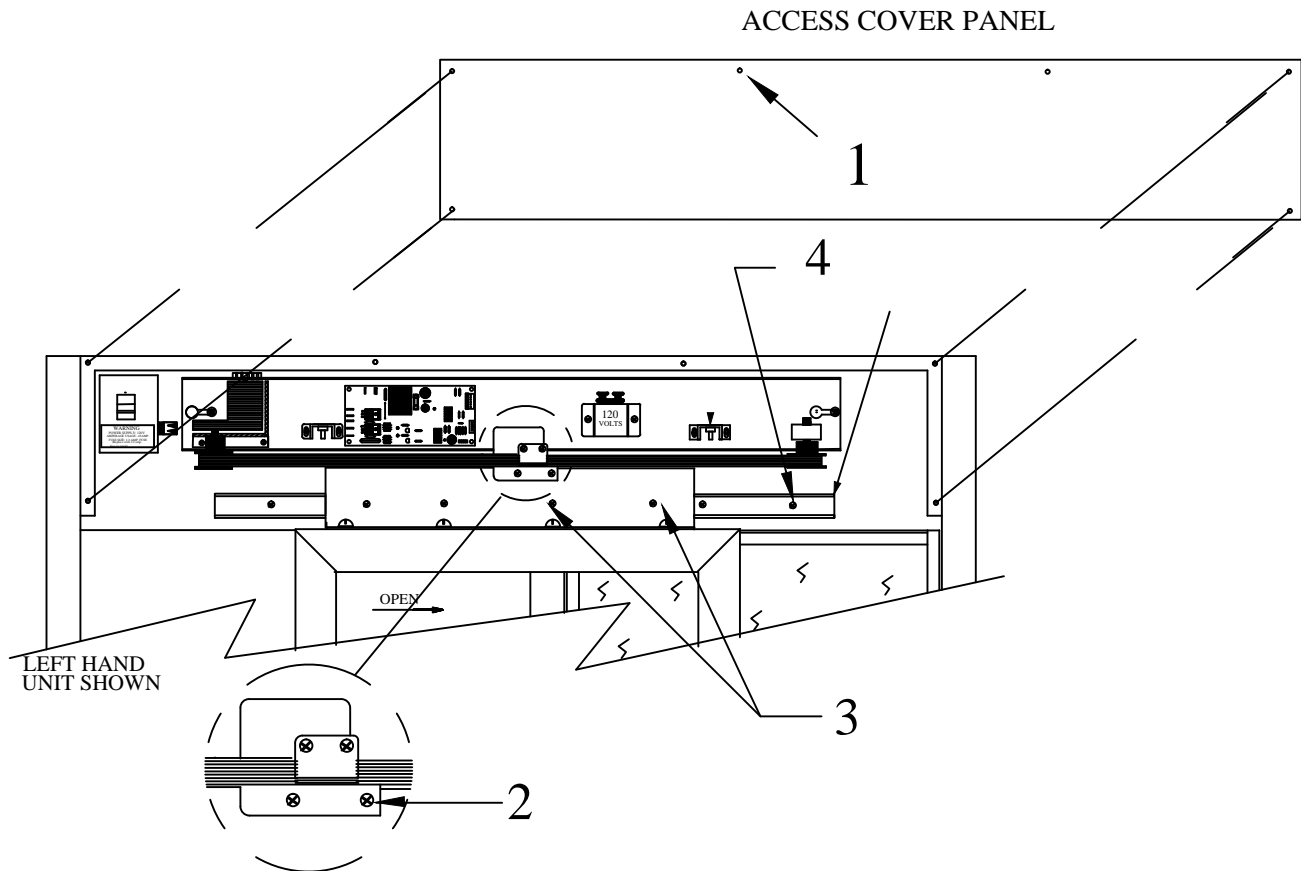


ELECTRIC SINGLE SLIDER RAIL REPLACEMENT



TOOLS NEEDED

5/16" Wrench / Nut Driver

Lock-Tite

1/8" Allen head wrench

1. Remove the screws from the front access cover.
2. Remove the 2 screws holding flag bracket to door bracket.
3. Remove the screws connecting door bracket to slide rail.
(Remove door and set aside)
4. Remove the screws from the slide rail to the header.
(Slide race left or right to access screws)
5. Replace with new slide rail part# 1917 in reverse order it was removed.

NOTE: THIS DRAWING EMBODIES A CONFIDENTIAL PROPRIETARY DESIGN ORIGINATED AND OWED BY QUIKSERV CORP., AND IS SUBMITTED UNDER A CONFIDENTIAL RELATIONSHIP. ALL PATENT, MANUFACTURING, SALE RIGHTS REGARDING THE SAME ARE RESERVED EXCEPT TO THE EXTENT RIGHTS ARE EXPRESSLY GRANTED TO OTHERS. THE RECIPIENT AGREES BY ACCEPTING THESE DRAWINGS NOT TO SUPPLY OR DISCLOSE ANY INFORMATION REGARDING THEM TO ANY UNAUTHORIZED PERSON.

Quikserv Corp.
www.quikserv.com
1-800-388-8307

Electric Single Slider Slide Rail Replacement

Submitted By:
Brian Coble

Date:
11/10/2014

Sheet:
ESS-R